

R & J Manufacturing Company

3200 Martin Road, Walled Lake, Michigan 48390

Phone (248) 669-2460

Fax (248) 669-3006

Web Address: WWW.RJMAN.COM

On the following pages you will discover several series of standard molded seals. Some of the many advantages you gain from using standard molded seals are as follows:

- 1) We offer a large variety of standard seals, saving you the cost of tooling.
- 2) All of R & J's seals are molded, not machined, which permits us to guarantee the quality and workmanship. Quality, molded seals properly fit to the retainers, assuring longer performance time on the job, reducing downtime, resulting in increased production.
- 3) Tooling charges are held to an absolute minimum, or eliminated, because we already have a large inventory of molds. When we build a mold for a seal you need, we will reuse the mold on your future orders, saving you time, and repeat tooling charges. This service eliminates one of the major objections to using high quality, molded seals. *We are also equipped to manufacture custom molded parts (i.e. test wiring harnesses) to your specifications.*
- 4) R & J strives to help you by producing seals at reasonable, competitive prices. ***Compare R & J's quality and prices with our competition, you'll be glad you did!*** Our 40 years of experience, also permits us to provide you with excellent, professional engineering and design services, at very competitive rates.

MATERIALS AVAILABLE

Urethane	30 to 95 Shore A, Durometer
Urethane	45 to 70 Shore D, Durometer
Neoprene	40 to 70 Shore A, Durometer
Viton	55 to 90 Shore A, Durometer
Natural Rubber	35 / 45 Shore A, Durometer
Hi Temp Silicone	40 to 80 Shore A, Durometer

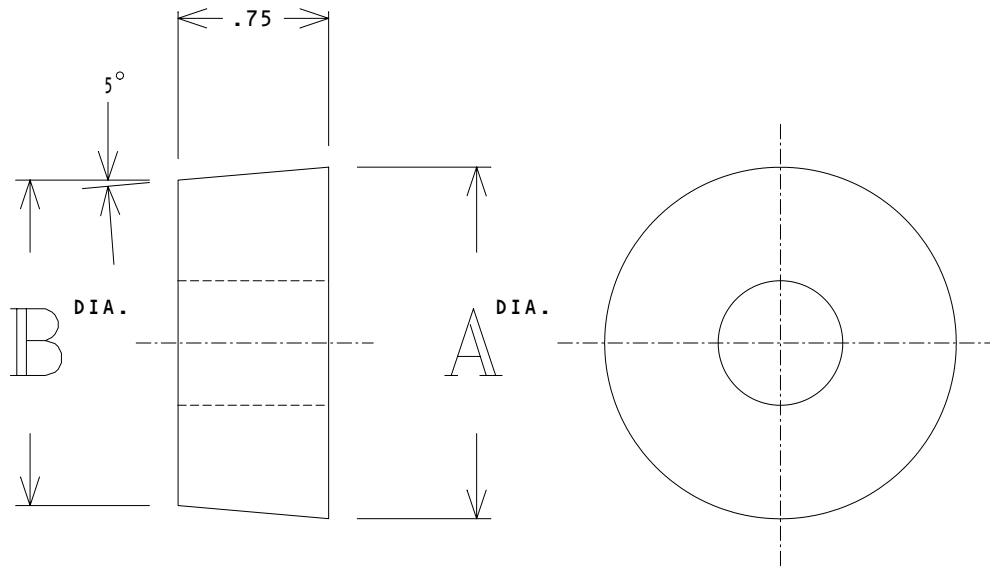
Special Materials on Request: i.e. EPDM, Hycar, Buna-N - All Shore A Durometer, and softer Neoprenes.

Contact our office via Phone, Fax, U. S. Mail, or E-Mail so we can help you with your next project. You may also E-Mail your drawings to us so we can custom design the seals you need.

For more information and/or pricing contact us today! Let us put our experience to work for you!

To simplify your purchase, we accept Visa, Master Charge and American Express.

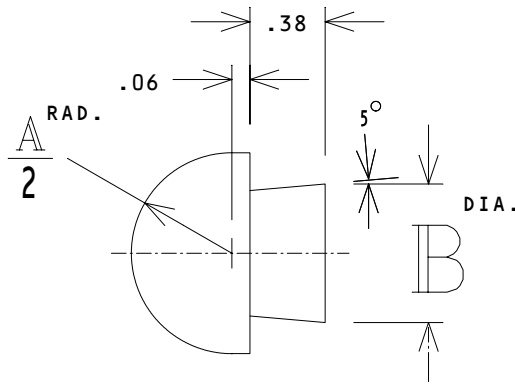
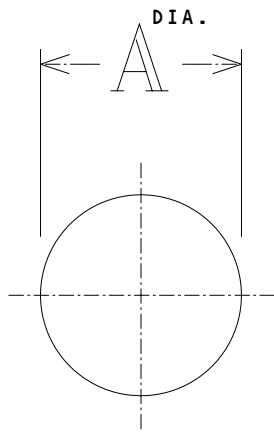
Sealing the World - One Leak at a Time!



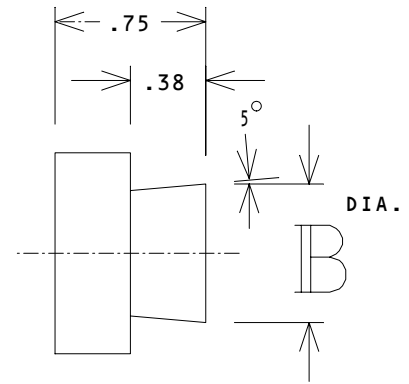
* SEAL NUMBER W/O HOLE	A	B	* HOLE SIZE																
			$\frac{3}{16}$	$\frac{1}{4}$	$\frac{5}{16}$	$\frac{3}{8}$	$\frac{7}{16}$	$\frac{1}{2}$	$\frac{5}{8}$	$\frac{3}{4}$	$\frac{7}{8}$	1	$1\frac{1}{4}$	$1\frac{1}{2}$	$1\frac{3}{4}$	2	$2\frac{1}{2}$	3	
1101	.62	.49	X	X	X														
1102	.75	.62	X	X	X	X													
1103	.88	.75	X	X	X	X	X												
1104	1.00	.87	X	X	X	X	X	X											
1105	1.25	1.12	X	X	X	X	X	X	X	X									
1106	1.50	1.37	X	X	X	X	X	X	X	X	X	X							
1107	1.75	1.62	X	X	X	X	X	X	X	X	X	X	X						
1108	2.00	1.87							X	X	X	X	X	X					
1109	2.25	2.12							X	X	X	X	X	X	X				
1110	2.50	2.37							X	X	X	X	X	X	X	X			
1111	2.75	2.62							X	X	X	X	X	X	X	X			
1112	3.00	2.87							X	X	X	X	X	X	X	X	X		
1113	3.25	3.12							X	X	X	X	X	X	X	X	X		
1114	3.50	3.37							X	X	X	X	X	X	X	X	X	X	
1115	3.75	3.62							X	X	X	X	X	X	X	X	X	X	X
1116	4.00	3.87							X	X	X	X	X	X	X	X	X	X	X
1117	4.25	4.12							X	X	X	X	X	X	X	X	X	X	X
1118	4.50	4.37							X	X	X	X	X	X	X	X	X	X	X
1119	4.75	4.62							X	X	X	X	X	X	X	X	X	X	X
1120	5.00	4.87							X	X	X	X	X	X	X	X	X	X	X
1121	5.50	5.37							X	X	X	X	X	X	X	X	X	X	X
1122	6.00	5.87							X	X	X	X	X	X	X	X	X	X	X
1123	8.00	7.87							X	X	X	X	X	X	X	X	X	X	X

* INDICATE HOLE SIZE IN FRACTIONS AFTER SEAL NUMBER
 EXAMPLES: #1107-5/8 IS 1.75 DIA. WITH 5/8 HOLE
 #1107 IS 1.75 DIA. WITHOUT HOLE

R & J MANUFACTURING CO.
 3200 MARTIN ROAD
 WALLED LAKE, MICH. 48390



BALL NOSE



FLAT NOSE

NUMBER		A	B
BALL NOSE	FLAT NOSE		
1501		.50	.38
1502	1364	.62	.50
1511	1365	.68	.50
1503	1326	.75	.56
	1327	.81	.62
1504	1366	.88	.69
1505	1362	1.00	.69
	1325	1.12	.94
1506	1361	1.25	.94
	1363	1.38	1.00
1507	1367	1.50	1.00
1510	1368	1.62	1.25
1508	1369	1.75	1.38
	1370	1.88	1.50
1509	1371	2.00	1.62

INDICATE HOLE SIZE IN FRACTIONS AFTER SEAL NUMBER

EXAMPLES: #1363-5/8 HAS A 5/8 HOLE

#1363 HAS NO HOLE

HOLES SIZES AVAILABLE FOR 1500 STYLE

SEAL NUMBER W/O HOLE	AVAILABLE HOLE SIZES								
	1/8	3/16	1/4	7/32	5/16	3/8	7/16	1/2	5/8
1501	X								
1502	X	X	X						
1503			X						
1504	X		X		X				
1505	X		X		X	X	X		
1506			X		X	X		X	
1507				X	X			X	X
1508		X	X					X	
1509						X			
1510								X	
1511	X								

INDICATE HOLE SIZE IN FRACTIONS
AFTER SEAL NUMBER

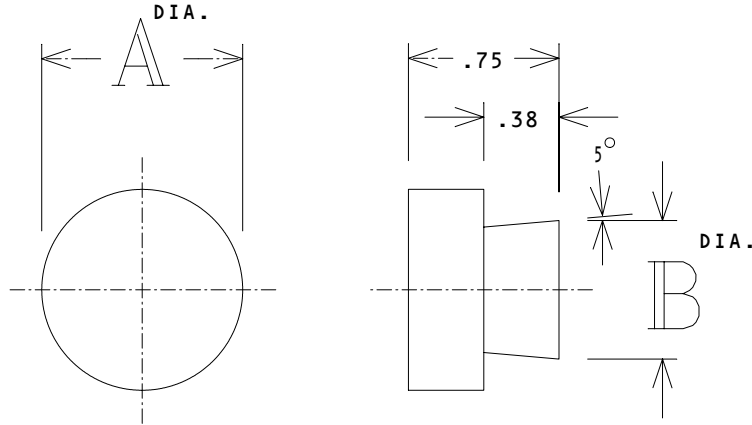
EXAMPLES: #1508-1/2 HAS A 1/2 HOLE

#1508 HAS NO HOLE

FOR OTHER HOLE SIZES PLEASE CALL

R & J MANUFACTURING CO.
3200 MARTIN ROAD
WALLED LAKE, MICH. 48390

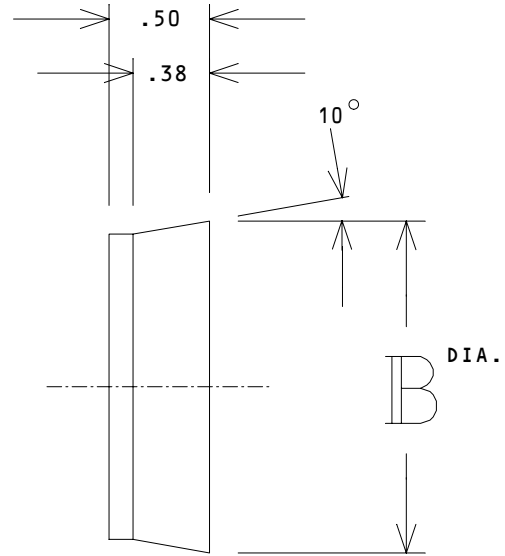
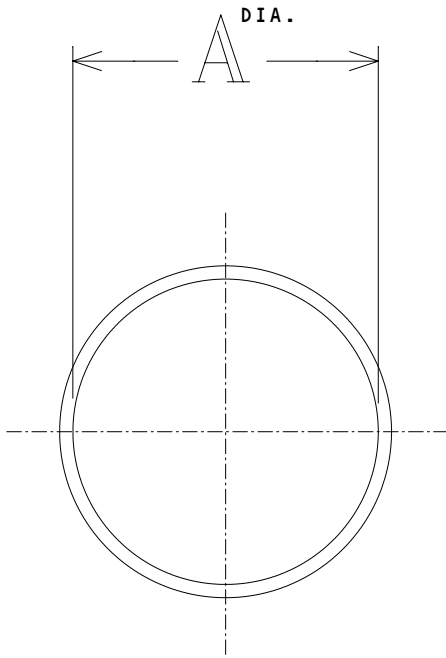
1300 BY NUMBER PG 1



NUMBER	A	B	NUMBER	A	B	NUMBER	A	B
1321	.86	.62	1370	1.88	1.50	1395	2.50	2.12
1322	1.00	.75	1371	2.00	1.62	1396	1.00	.50
1323	.86	.69	1372	2.25	1.88	1397	1.50	.69
1324	1.00	.81	1373	3.00	2.50	1398	2.25	1.63
1325	1.12	.94	1374	2.50	2.00	1399	1.06	.94
1326	.75	.56	1375	.56	.38	1400	0.75	.44
1327	.81	.62	1376	2.56	1.62	1401	4.75	4.25
1328	1.00	.56	1377	1.75	1.25	1402	3.75	3.25
1329	.88	.62	1378	2.75	2.50	1403	4.00	3.06
1330	.62	.44	1379	1.12	.69			
1331	1.38	.88	1380	2.25	1.75			
1332	3.50	3.06	1381	.50	.44			
1333	2.75	2.00	1382	0.47	0.31			
1340	5.12	4.50	1383	2.25	2.00			
1341	7.12	6.75	1384	1.25	.69			
1361	1.25	.94	1385	1.75	1.00			
1362	1.00	.69	1386	3.12	2.75			
1363	1.38	1.00	1387	2.25	1.38			
1364	.62	.50	1388	2.38	1.62			
1365	.68	.50	1389	2.00	1.00			
1366	.88	.69	1390	1.50	.94	76581	2.25	1.38
1367	1.50	1.00	1391	1.88	1.38	79812	2.25	1.62
1368	1.62	1.25	1392	1.44	.94	880746	3.50	3.00
1369	1.75	1.38	1393	1.12	.69	880747	2.88	2.50

INDICATE HOLE SIZE IN FRACTIONS AFTER SEAL NUMBER
 EXAMPLES: #1380-5/8 HAS A 5/8 HOLE
 #1380 HAS NO HOLE

R & J MANUFACTURING CO.
 3200 MARTIN ROAD
 WALLED LAKE, MICH. 48390



NUMBER	A	B
1701	.50	.62
1702	.62	.75
1703	.75	.88
1704	.88	1.00
1705	1.00	1.12
1706	1.12	1.25
1707	1.25	1.38
1708	1.38	1.50
1709	1.50	1.62
1710	1.62	1.75
1711	1.75	1.88
1712	1.88	2.00
1713	2.00	2.12
1714	2.12	2.25

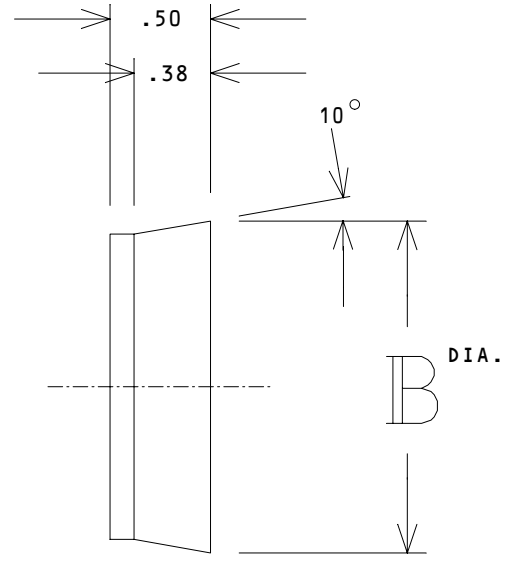
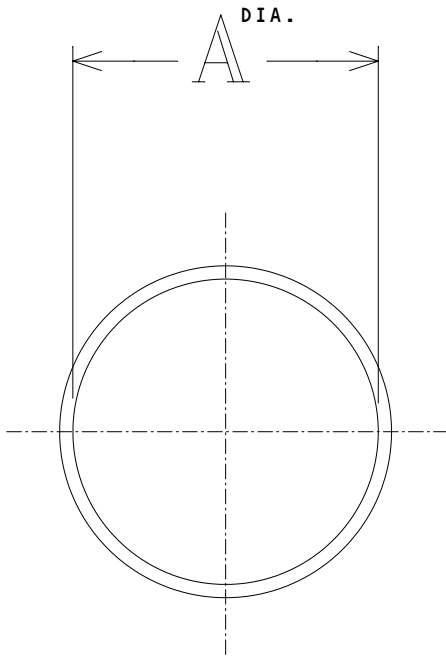
NUMBER	A	B
1715	2.25	2.38
1716	2.38	2.50
1717	2.50	2.62
1718	2.62	2.75
1719	2.75	2.88
1720	2.88	3.00
1721	3.00	3.12
1722	3.12	3.25
1723	3.25	3.38
1724	3.38	3.50
1725	3.50	3.62
1726	3.62	3.75
1727	3.75	3.88
1728	4.00	4.12

INDICATE HOLE SIZE IN FRACTIONS AFTER SEAL NUMBER

EXAMPLES: #1705-5/8 HAS A 5/8 HOLE

#1705 HAS NO HOLE

R & J MANUFACTURING CO.
 3200 MARTIN ROAD
 WALLED LAKE, MICH. 48390

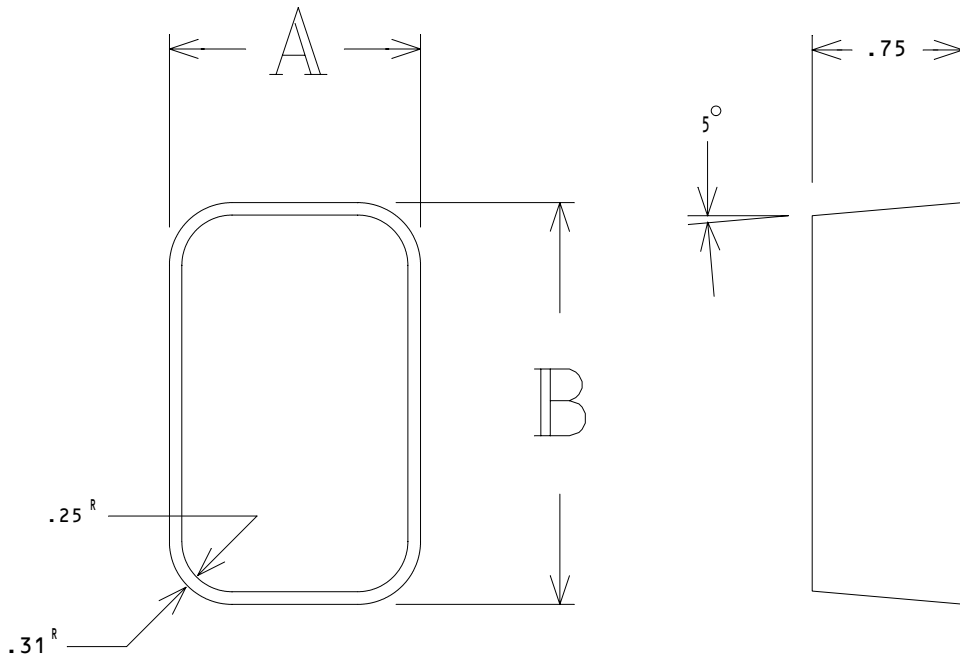


NUMBER	A	B
1729	.56	.69
1730	7.25	7.38
1731	5.50	5.62
1732	5.12	5.25
1733	4.50	4.62

NUMBER	A	B

INDICATE HOLE SIZE IN FRACTIONS AFTER SEAL NUMBER
 EXAMPLES: #1731-5/8 HAS A 5/8 HOLE
 #1731 HAS NO HOLE

R & J MANUFACTURING CO.
 3200 MARTIN ROAD
 WALLED LAKE, MICH. 48390

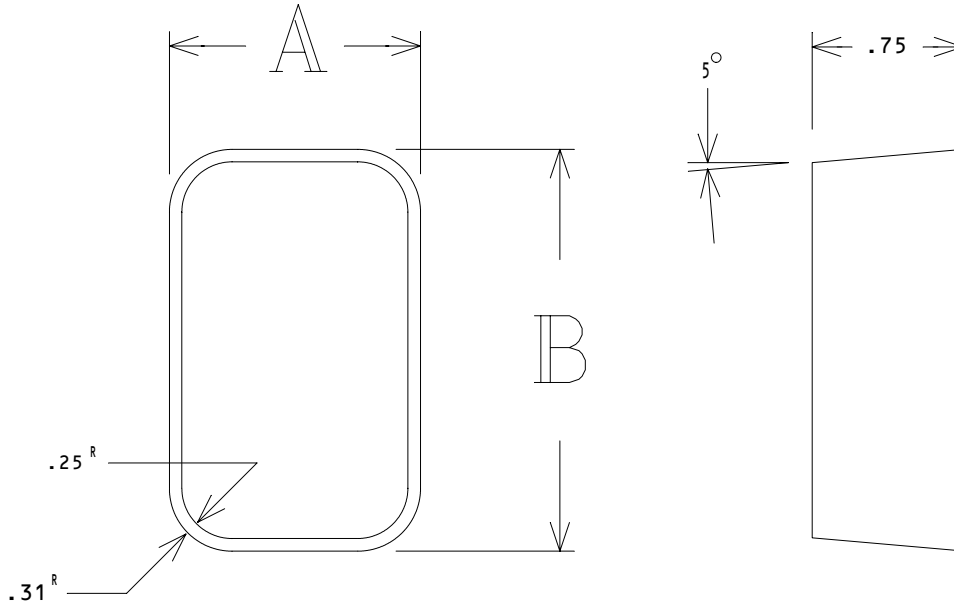


NUMBER	A	B
2151	1.00	1.00
2152	1.00	1.25
2136	1.00	1.50
2153	1.00	1.75
2154	1.00	2.00
2155	1.00	2.25
2156	1.00	2.50
2157	1.00	3.00
2158	1.25	1.25
2159	1.25	1.50
2160	1.25	1.75
2161	1.25	2.00
2162	1.25	2.25
2163	1.25	2.50
2164	1.25	3.00
2165	1.25	3.50
2166	1.25	4.00
2167	1.50	1.50

NUMBER	A	B
2168	1.50	1.75
2102	1.50	2.00
2169	1.50	2.25
2170	1.50	2.50
2171	1.50	3.00
2108	1.50	3.50
2135	1.50	4.00
2110	1.50	4.50
2172	1.50	5.00
2173	2.00	2.00
2174	2.00	2.50
2132	2.00	3.00
2175	2.00	3.50
2176	2.00	4.00
2177	2.00	4.50
2178	2.00	5.00
2179	2.00	5.50
2180	2.00	6.00

R & J MANUFACTURING CO.
 3200 MARTIN ROAD
 WALLED LAKE, MICH. 48390

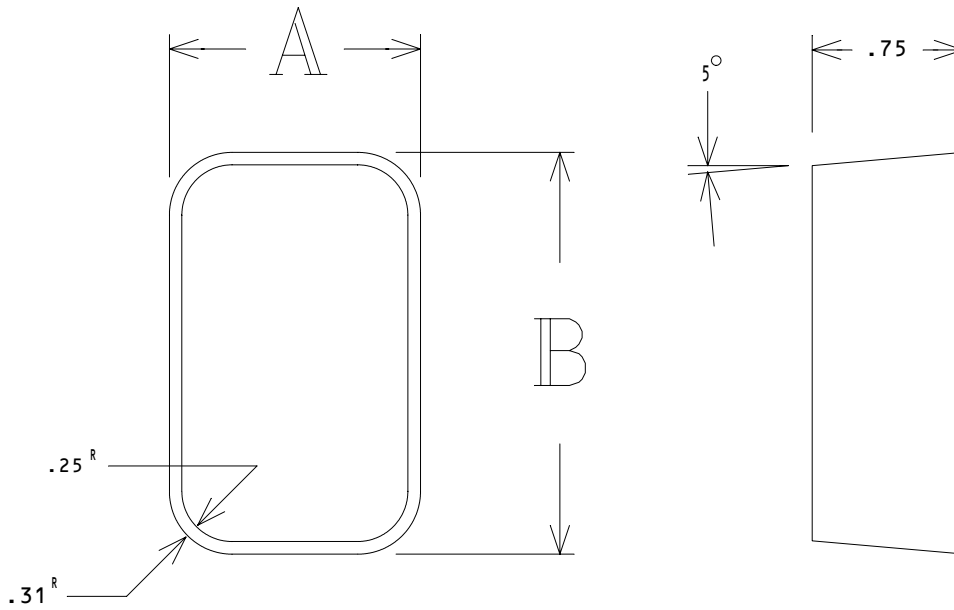
2100 BY NUMBER PG 1



NUMBER	A	B	NUMBER	A	B	NUMBER	A	B
2100	1.50	3.50	2155	1.00	2.25	2179	2.00	5.50
2102	1.50	2.00	2156	1.00	2.50	2180	2.00	6.00
2103	1.25	2.50	2157	1.00	3.00	2181	1.38	3.00
2104	1.25	3.12	2158	1.25	1.25	2182	2.50	3.50
2108	1.50	3.50	2159	1.25	1.50	2183	2.00	4.25
2110	1.50	4.50	2160	1.25	1.75	2184	2.25	2.50
2131	1.75	4.25	2161	1.25	2.00	2185	.88	3.12
2132	2.00	3.00	2162	1.25	2.25	2186	1.25	1.62
2135	1.50	4.00	2163	1.25	2.50	2187	1.38	1.75
2136	1.00	1.50	2164	1.25	3.00	2188	1.38	3.88
2137	1.75	5.25	2165	1.25	3.50	2189	2.50	2.62
2138	1.25	6.00	2166	1.25	4.00	2190	2.50	3.00
2140	1.38	3.25	2167	1.50	1.50	2191	1.62	1.62
2142	4.50	4.50	2168	1.50	1.75	2192	3.00	5.00
2145	3.00	3.25	2169	1.50	2.25	2193	3.12	3.38
2146	2.12	3.00	2170	1.50	2.50	2194	2.25	4.00
2147	3.00	3.25	2171	1.50	3.00	2197	1.00	4.25
2148	2.38	3.50	2172	1.50	5.00	2198	1.38	2.00
2149	1.62	3.25	2173	2.00	2.00	2200	2.62	4.62
2150	2.00	3.25	2174	2.00	2.50	2201	2.12	2.62
2151	1.00	1.00	2175	2.00	3.50	2201A	2.62	3.12
2152	1.00	1.25	2176	2.00	4.00	2202	6.00	6.25
2153	1.00	1.75	2177	2.00	4.50	2203	2.62	3.00
2154	1.00	2.00	2178	2.00	5.00	2204	2.50	4.50

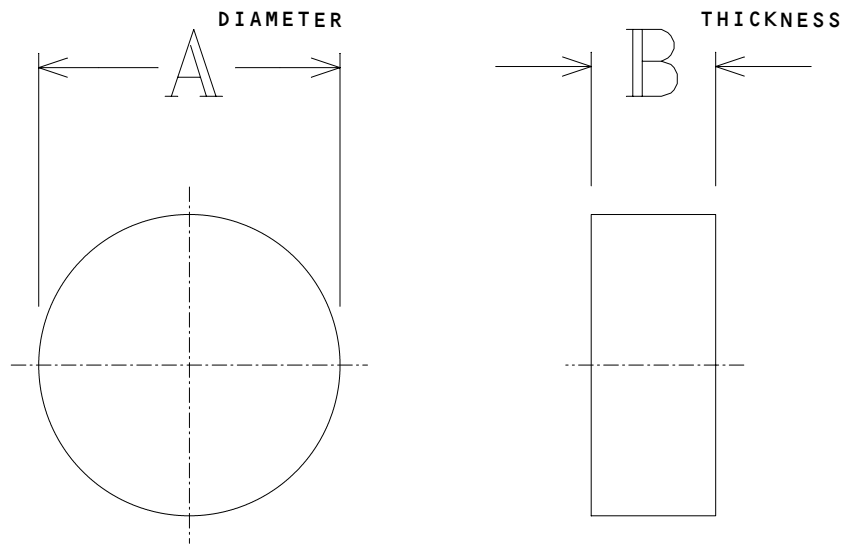
R & J MANUFACTURING CO.
 3200 MARTIN ROAD
 WALLED LAKE, MICH. 48390

2100 BY NUMBER PG 2



NUMBER	A	B	NUMBER	A	B	NUMBER	A	B
2205	1.50	2.75	2228	2.50	6.00	76435	4.25	4.50
2206	2.25	2.75	2229	4.00	5.00	76452	4.00	5.50
2206A	2.75	3.50	2230	2.50	6.25	76453	3.00	5.25
2207	2.75	5.00	2231	2.75	6.50	76598	3.25	3.75
2208	2.25	2.75	2232	2.75	3.75	78167	5.50	9.00
2209	3.25	5.25	2233	1.50	2.12	79208	2.25	2.50
2210	2.25	3.50	2234	3.12	3.88	79209	2.25	3.00
2211	1.00	2.75	2235	2.50	5.00	79259	2.50	2.50
2212	5.12	5.62	2236	1.75	2.50	79260	2.50	3.25
2213	1.62	2.50	2237	1.75	2.25	79261	1.25	2.00
2214	4.00	4.00	2238	1.75	3.00	79293	2.50	3.25
2215	2.50	14.00	2239	2.38	3.38	79294	2.50	3.25
2216	3.00	4.50	2240	1.63	1.75	79352	2.50	4.88
2217	5.00	6.00	2241	2.25	2.25	79378	3.38	4.12
2218	4.75	11.00	2242	2.25	3.50	79379	3.75	20.50
2219	2.88	4.50	2243	5.00	5.50	79382	1.75	3.25
2220	3.75	4.00	2244	4.63	4.75	79449	4.62	5.62
2221	4.00	22.00	2245	6.00	6.50	79499	2.75	8.25
2222	3.75	9.50	2246	2.50	5.75	79500	2.75	8.38
2223	2.12	2.62	2247	1.75	2.75	79554	2.50	3.50
2224	5.25	5.50	1350	3.62	3.75	79556	3.75	15.00
2225	3.50	8.00	73610	2.00	2.25	79567	5.00	5.62
2226	2.12	10.12	76250	3.25	5.25	79584	2.38	3.00
2227	2.50	13.75	76434	5.50	5.50	79810	2.50	3.00

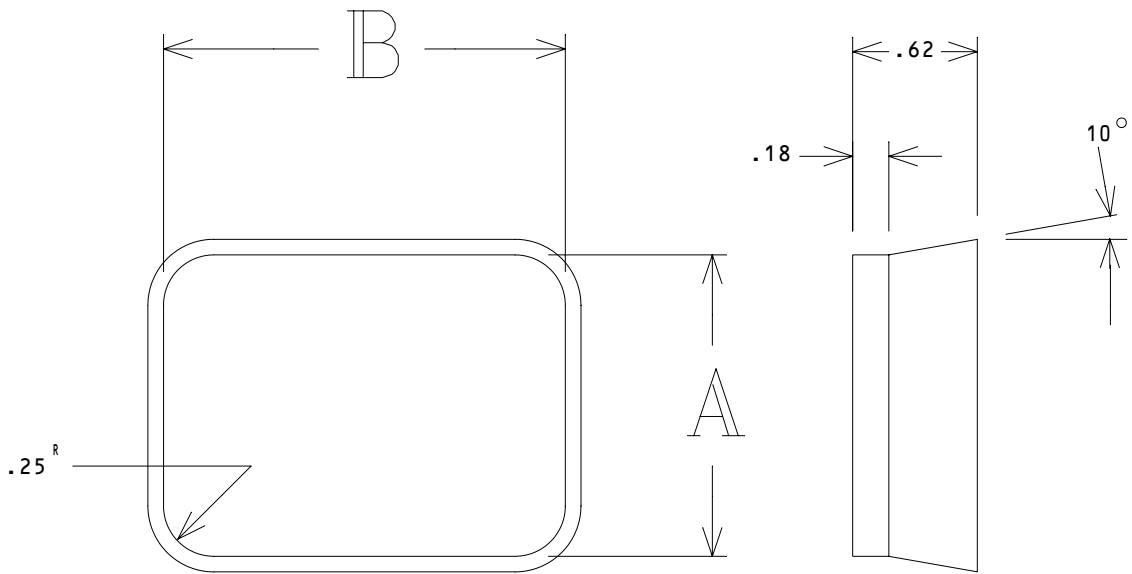
R & J MANUFACTURING CO.
 3200 MARTIN ROAD
 WALLED LAKE, MICH. 48390



DIAMETER A	THICKNESS B								
	.06	.12	.25	.38	.50	.62	.75	.88	1.00
.25	2501	2502	2503	2504					
.38	2505	2506	2507	2508	2509				
.50	2510	2511	2512	2513	2514	2515			
.62	2516	2517	2518	2519	2520	2521	2522		
.75	2523	2524	2525	2526	2527	2528	2529	2530	
.88	2531	2532	2533	2534	2535	2536	2537	2538	2539
1.00	2540	2541	2542	2543	2544	2545	2546	2547	2548
1.25	2549	2550	2551	2552	2553	2554	2555	2556	2557
1.50	2558	2559	2560	2561	2562	2563	2564	2565	2566
1.75	2567	2568	2569	2570	2571	2572	2573	2574	2575
2.00	2576	2577	2578	2579	2580	2581	2582	2583	2584
2.25	2585	2586	2587	2588	2589	2590	2591	2592	2593
2.50	2594	2595	2596	2597	2598	2599	2600	2601	2602
2.75	2603	2604	2605	2606	2607	2608	2609	2610	2611
3.00	2612	2613	2614	2615	2616	2617	2618	2619	2620
3.25				2621	2622	2623	2624	2625	2626
3.50				2627	2628	2629	2630	2631	2632
3.75					2633	2634	2635	2636	2637
4.00					2638	2639	2640	2641	2642
4.25						2643	2644	2645	2646
4.50						2647	2648	2649	2650
4.75							2651	2652	2653
5.00							2654	2655	2656
5.50					2663		2657	2658	2659
6.00					2664		2660	2661	2662

INDICATE HOLE SIZE IN FRACTIONS AFTER SEAL NUMBER
 EXAMPLES: #2553-5/8 IS 1.25 DIA. WITH 5/8 HOLE
 #2553 IS 1.25 DIA. WITHOUT HOLE

R & J MANUFACTURING CO.
 3200 MARTIN ROAD
 WALLED LAKE, MICH. 48390



NUMBER	A	B	BEACH
4380	1.50	1.75	B393
4381	1.12	2.00	B392
4382	.88	1.75	B295B
4383	1.25	2.25	B213
4384	1.50	2.12	B110
4385	1.50	3.50	B163
4386	1.38	2.25	B369
4387	1.50	2.50	B165
4388	2.62	3.00	
4389	1.75	2.38	B141
4390	2.00	2.50	B209
4391	2.12	3.38	B248
4392	2.25	4.12	B245
4393	1.32	1.50	B127
4394	1.38	2.00	B409
4395	2.00	2.50	B209
4396	3.38	5.50	
4397	4.25	5.25	
4398	2.00	2.37	
4399	1.00	2.00	

NUMBER	A	B	BEACH
4400	2.50	3.88	B126
4401	1.75	2.75	B170
4402	6.00	6.75	B271
4403	2.00	2.75	
4404	2.00	2.62	B220
4405	5.50	6.50	B401
4406	2.62	4.38	B113
4407	1.38	3.50	B158
4408	1.50	2.75	B408
4409	3.25	3.25	B208
4410	2.25	2.50	B147
4411	2.50	3.00	B402
4412	1.62	3.00	B107
4413	2.38	3.88	B247
4414	2.25	3.00	B333
4415	.88	1.38	
4416	1.62	1.62	B184
4417	1.88	2.12	B159
4418	1.12	1.62	B156
4419	1.75	3.38	B215

R & J MANUFACTURING CO.
 3200 MARTIN ROAD
 WALLED LAKE, MICH. 48390

R & J Manufacturing Company

3200 Martin Road, Walled Lake, MI, USA 48390

Phone: 248-669-2460

Fax: 248-669-3006

Web Address: WWW.RJMan.com

Email: RJ@RJMan.com

Thank you for requesting a copy of our current Leak Test Seals Catalog. After reviewing this catalog, you may know of someone who would benefit from having their own copy.

Please complete the form at the bottom of this page and fax it to us, so we may send a copy of this catalog to the person(s) indicated below.

Catalog Request

Fax To: 248-669-3006

Company Name: _____

Address: _____

Quantity: _____

Attention: _____

Phone: _____

Fax: _____

Email: _____

Attention: _____

Phone: _____

Fax: _____

Email: _____

Attention: _____

Phone: _____

Fax: _____

Email: _____